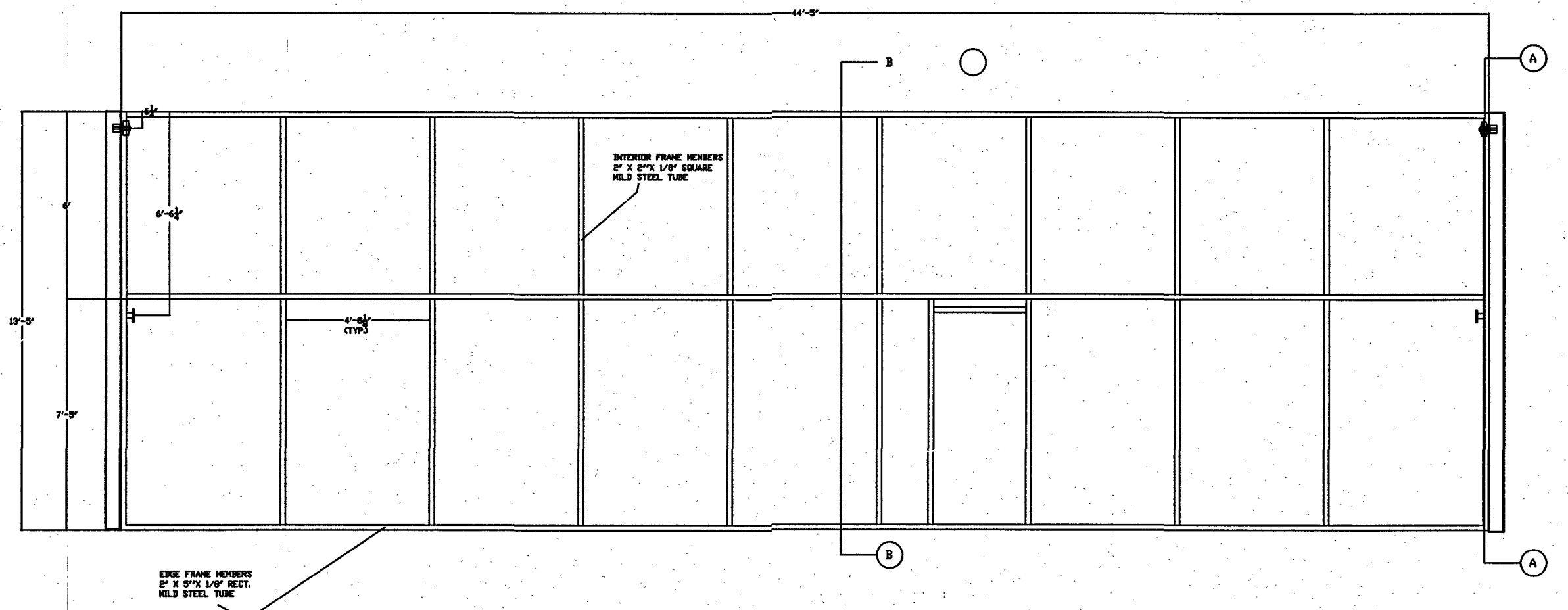
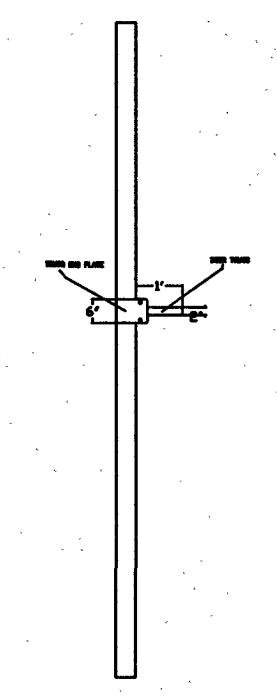


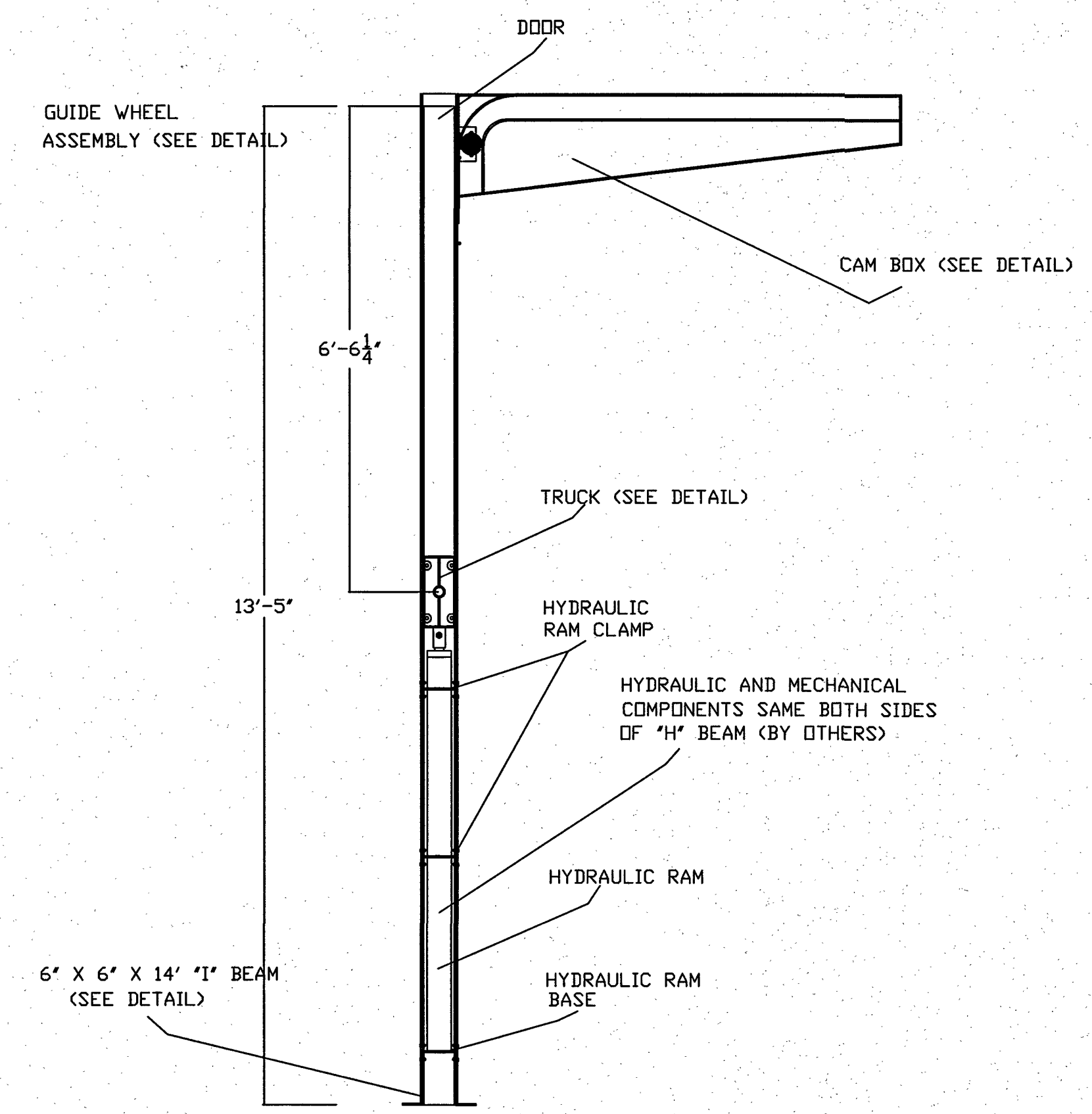
(B) TRUSS DETAIL  
(PLAN VIEW)



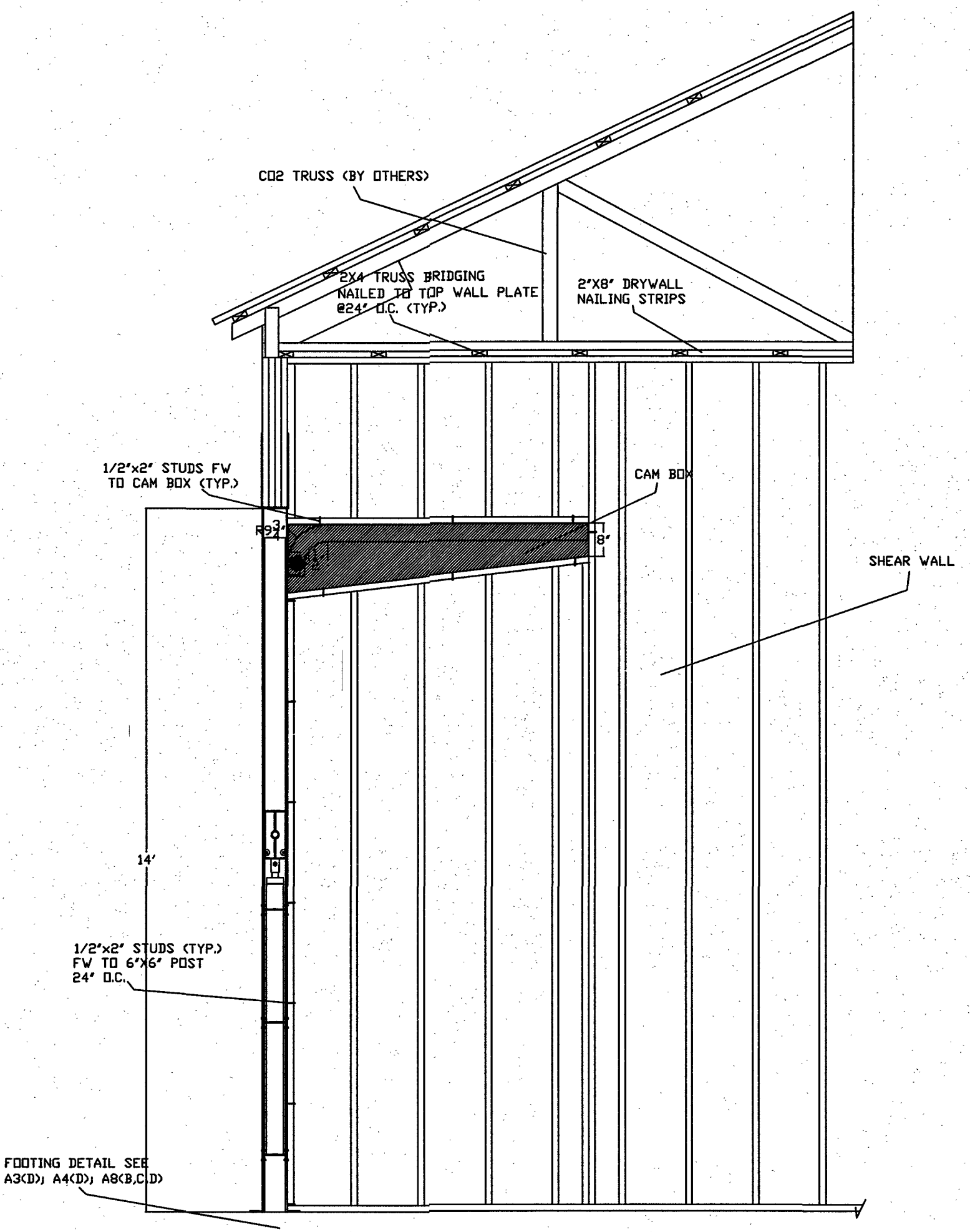
(C) DOOR FRAMING, FRONT VIEW



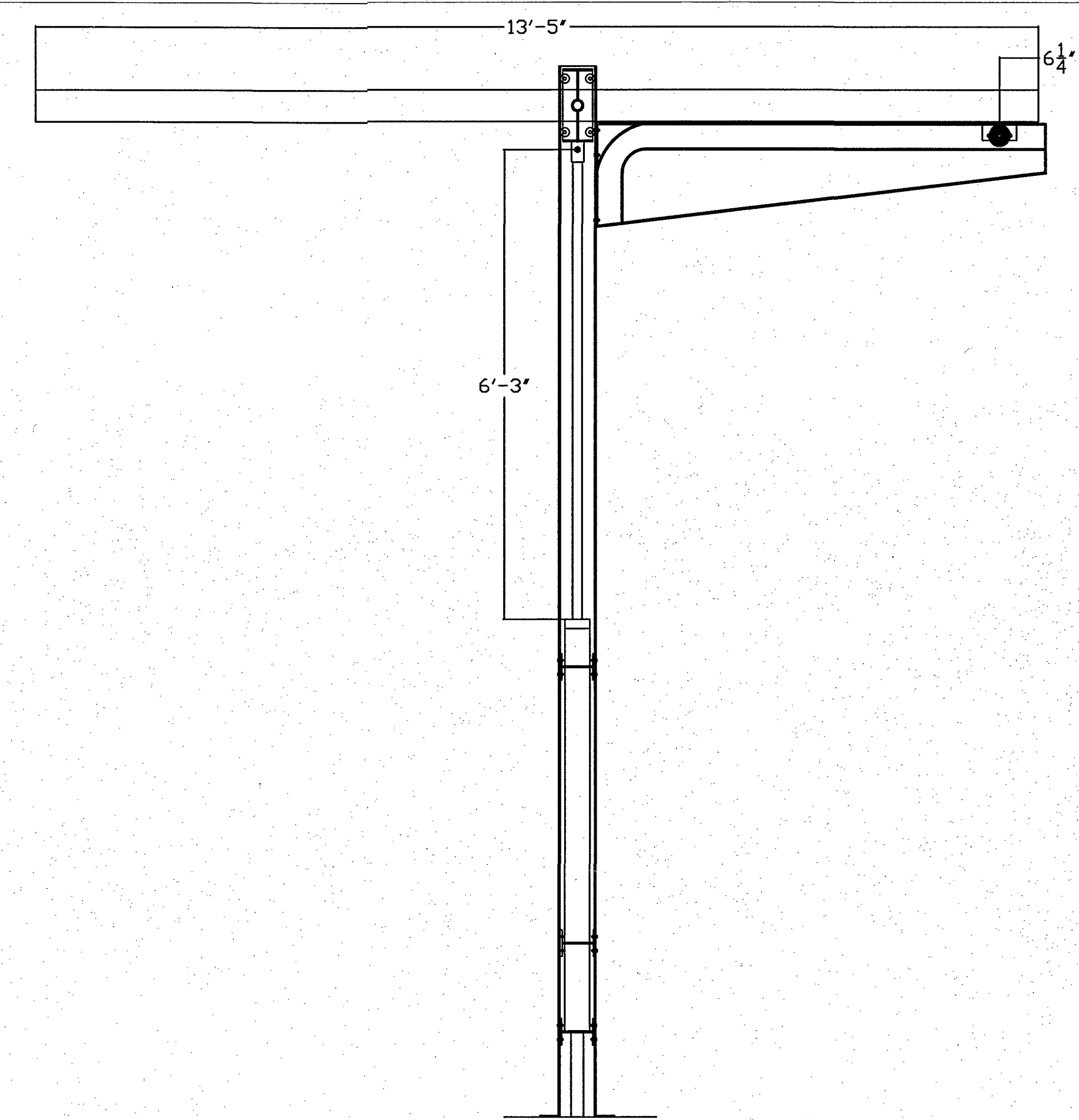
(B) SECTION BB DETAIL



(A) SECTION AA DETAIL  
(DOOR IN DOWN POSITION)



(C) FRAMING DETAIL  
AROUND POST AND CAM BOX



(A) SECTION AA DETAIL  
(DOOR IN RAISED POSITION)

STRUCTURAL REVIEW ONLY  
FOR COMPLIANCE WITH  
CALCULATIONS BY:

JARNOT ENGINEERING INC.

*Frank T. Jarnot*

14/8/18

NW CUSTOM AIRCRAFT HANGARS LLC	
DATE: 11/26/18	Page 11 of 12
Door Detail	SHEET A9